



CAFORD CASTORS (NZ) LTD

# Caford NZ Ltd

Chap 7 Page 70

Volume 1, Issue 170

12 November 2013

Ph: +649 444 8334

Fx: +649 444 0784

E-mail:

[sales@caford.co.nz](mailto:sales@caford.co.nz)

[www.caford.co.nz](http://www.caford.co.nz)



## Heavy Duty Plastic Round End Plugs

### ROUND END PLUGS

CODE	DESCRIPTION	WALL THICKNESS MIN-MAX	COLOUR
PLRND10/0.8-1.5	RND ENDPLUG FOR 10mm OD TUBE	0.8 TO 1.5	BLACK
PLRND12/1.0-1.5	RND ENDPLUG FOR 12mm OD TUBE	1.0 TO 1.5	BLACK
PLRND12/2.5-3.0	RND ENDPLUG FOR 12mm OD TUBE	2.5 TO 3.0	BLACK
PLRND13/0.8-2.0	RND ENDPLUG FOR 13mm OD TUBE	0.8 TO 2.0	BLACK
PLRND13/1.0-2.0	RND ENDPLUG FOR 13mm OD TUBE	1.0 TO 2.0	WHITE/GREY
PLRND14/1.0-2.0	RND ENDPLUG FOR 14mm OD TUBE	1.0 TO 2.0	BLACK
PLRND15/0.8-2.0	RND ENDPLUG FOR 15mm OD TUBE	0.8 TO 2.0	BLACK/WHITE/GREY
PLRND16/0.8-2.0	RND ENDPLUG FOR 16mm OD TUBE	0.8 TO 2.0	BLACK
PLRND16/1.0-2.0	RND ENDPLUG FOR 16mm OD TUBE	1.0 TO 2.0	WHITE/GREY
PLRND18/0.8-2.0	RND ENDPLUG FOR 18mm OD TUBE	0.8 TO 2.0	BLACK
PLRND18/1.0-2.0	RND ENDPLUG FOR 18mm OD TUBE	1.0 TO 2.0	WHITE/GREY
PLRND19/0.8-2.0	RND ENDPLUG FOR 19mm OD TUBE	0.8 TO 2.0	BLACK
PLRND19/1.0-2.0	RND ENDPLUG FOR 19mm OD TUBE	1.0 TO 2.0	WHITE/GREY
PLRND20/0.8-2.5	RND ENDPLUG FOR 20mm OD TUBE	0.8 TO 2.5	BLACK/WHITE
PLRND21/0.8-2.0	RND ENDPLUG FOR 21mm OD TUBE	0.8 TO 2.0	BLACK/WHITE
PLRND21/2.5-3.0	RND ENDPLUG FOR 21mm OD TUBE	2.5 TO 3.0	BLACK
PLRND22/1.0-2.0	RND ENDPLUG FOR 22mm OD TUBE	1.0 TO 2.0	BLACK/WHITE/GREY
PLRND22/1.8-3.5	RND ENDPLUG FOR 22mm OD TUBE	1.8 TO 3.5	BLACK
PLRND23/0.8-2.5	RND ENDPLUG FOR 23mm OD TUBE	0.8 TO 2.5	BLACK
PLRND24/1.0-2.5	RND ENDPLUG FOR 24mm OD TUBE	1.0 TO 2.5	BLACK/WHITE
PLRND25/1.0-2.0	RND ENDPLUG FOR 25mm OD TUBE	1.0 TO 2.0	GREY
PLRND25/1.0-3.0	RND ENDPLUG FOR 25mm OD TUBE	1.0 TO 3.0	BLACK/WHITE
PLRND25/3.0-3.5	RND ENDPLUG FOR 25mm OD TUBE	3.0 TO 3.5	BLACK
PLRND25/4.0-4.5	RND ENDPLUG FOR 25mm OD TUBE	4.0 TO 4.5	BLACK
PLRND26/1.0-3.0	RND ENDPLUG FOR 26mm OD TUBE	1.0 TO 3.0	BLACK/WHITE
PLRND27/1.0-2.0	RND ENDPLUG FOR 27mm OD TUBE	1.0 TO 2.0	GREY
PLRND27/1.0-3.0	RND ENDPLUG FOR 27mm OD TUBE	1.0 TO 3.0	BLACK
PLRND28/0.8-2.5	RND ENDPLUG FOR 28mm OD TUBE	0.8 TO 2.5	BLACK/WHITE
PLRND30/0.8-2.5	RND ENDPLUG FOR 30mm OD TUBE	0.8 TO 2.5	BLACK/WHITE
PLRND30/1.0-2.0	RND ENDPLUG FOR 30mm OD TUBE	1.0 TO 2.0	GREY



## Heavy Duty Plastic Round End Plugs

### ROUND END PLUGS - CONTINUED

CODE	DESCRIPTION	WALL THICKNESS MIN-MAX	COLOUR
PLRND30/2.5-4.5	RND ENDPLUG FOR 30mm OD TUBE	2.5 TO 4.5	*** BLACK
PLRND30/3.0-3.5	RND ENDPLUG FOR 30mm OD TUBE	3.0 TO 3.5	BLACK
PLRND32/0.8-2.5	RND ENDPLUG FOR 32mm OD TUBE	0.8 TO 2.5	BLACK
PLRND32/0.8-2.5W	RND ENDPLUG FOR 32mm OD TUBE	0.8 TO 2.5	WHITE
PLRND32/1.0-2.0G	RND ENDPLUG FOR 32mm OD TUBE	1.0 TO 2.0	GREY
PLRND32/2.5-3.0	RND ENDPLUG FOR 32mm OD TUBE	2.5 TO 3.0	BLACK
PLRND32/3.5-5.5	RND ENDPLUG FOR 32mm OD TUBE	3.5 TO 5.5	BLACK
PLRND34/1.0-3.0	RND ENDPLUG FOR 34mm OD TUBE	1.0 TO 3.0	BLACK
PLRND34/1.0-3.0G	RND ENDPLUG FOR 34mm OD TUBE	1.0 TO 3.0	GREY
PLRND34/1.0-3.0W	RND ENDPLUG FOR 34mm OD TUBE	1.0 TO 3.0	WHITE
PLRND34/3.0-3.5	RND ENDPLUG FOR 34mm OD TUBE	3.0 TO 3.5	BLACK
PLRND34/3.0-3.5W	RND ENDPLUG FOR 34mm OD TUBE	3.0 TO 3.5	WHITE
PLRND34/3.5-4.0	RND ENDPLUG FOR 34mm OD TUBE	3.5 TO 4.0	*** BLACK
PLRND35/1.0-3.0	RND ENDPLUG FOR 35mm OD TUBE	1.0 TO 3.0	BLACK
PLRND35/1.0-3.0W	RND ENDPLUG FOR 35mm OD TUBE	1.0 TO 3.0	WHITE
PLRND35/2.5-4.5	RND ENDPLUG FOR 35mm OD TUBE	2.5 TO 4.5	BLACK
PLRND35/5.0-5.5	RND ENDPLUG FOR 35mm OD TUBE	5.0 TO 5.5	BLACK
PLRND36/1.0-3.0	RND ENDPLUG FOR 36mm OD TUBE	1.0 TO 3.0	BLACK
PLRND37/1.0-3.0	RND ENDPLUG FOR 37mm OD TUBE	1.0 TO 3.0	BLACK
PLRND38/1.0-2.0G	RND ENDPLUG FOR 38mm OD TUBE	1.0 TO 2.0	*** GREY
PLRND38/1.0-3.5	RND ENDPLUG FOR 38mm OD TUBE	1.0 TO 3.5	BLACK
PLRND38/1.0-3.5W	RND ENDPLUG FOR 38mm OD TUBE	1.0 TO 3.5	WHITE
PLRND38/1.0-3.5W	RND ENDPLUG FOR 38mm OD TUBE	1.0 TO 3.5	WHITE
PLRND38/3.0-5.0	RND ENDPLUG FOR 38mm OD TUBE	3.0 TO 5.0	BLACK
PLRND40/1.0-2.0	RND ENDPLUG FOR 40mm OD TUBE	1.0 TO 2.0	*** BLACK
PLRND40/1.0-2.0G	RND ENDPLUG FOR 40mm OD TUBE	1.0 TO 2.0	*** GREY
PLRND40/1.0-2.0W	RND ENDPLUG FOR 40mm OD TUBE	1.0 TO 2.0	WHITE
PLRND40/1.0-3.0	RND ENDPLUG FOR 40mm OD TUBE	1.0 TO 3.0	BLACK
PLRND40/3.0-3.5	RND ENDPLUG FOR 40mm OD TUBE	3.0 TO 3.5	BLACK
PLRND40/3.0-5.0	RND ENDPLUG FOR 40mm OD TUBE	3.0 TO 5.0	BLACK



CAFORD CASTORS (NZ) LTD

# Caford NZ Ltd

Chap 7 Page 72

Volume 1, Issue 172

12 November 2013

Ph: +649 444 8334  
Fx: +649 444 0784  
E-mail:  
sales@caford.co.nz  
www.caford.co.nz



## Heavy Duty Plastic Round End Plugs

### ROUND END PLUGS - CONTINUED

CODE	DESCRIPTION	WALL THICKNESS MIN-MAX	COLOUR
PLRND40/4.5-5.0	RND ENDPLUG FOR 40mm OD TUBE	4.5 TO 5.0	BLACK
PLRND42/0.8-2.5	RND ENDPLUG FOR 42mm OD TUBE	0.8 TO 2.5	BLACK
PLRND42/1.0-2.0	RND ENDPLUG FOR 42mm OD TUBE	1.0 TO 2.0	WHITE/GREY
PLRND42/2.0-4.0	RND ENDPLUG FOR 42mm OD TUBE	2.0 TO 4.0	BLACK/WHITE/GREY
PLRND43/2.0-2.5	RND ENDPLUG FOR 43mm OD TUBE	2.0 TO 2.5	BLACK
PLRND43/3.0-3.5	RND ENDPLUG FOR 43mm OD TUBE	3.0 TO 3.5	BLACK
PLRND45/0.8-3.5	RND ENDPLUG FOR 45mm OD TUBE	0.8 TO 3.5	BLACK
PLRND45/1.5-2.5	RND ENDPLUG FOR 45mm OD TUBE	1.5 TO 2.5	WHITE/GREY
PLRND45/3.0-5.0	RND ENDPLUG FOR 45mm OD TUBE	3.0 TO 5.0	BLACK
PLRND45/5.0-5.5	RND ENDPLUG FOR 45mm OD TUBE	5.0 TO 5.5	BLACK
PLRND46/1.5-3.0	RND ENDPLUG FOR 46mm OD TUBE	1.5 TO 3.0	BLACK
PLRND48/1.2-3.6	RND ENDPLUG FOR 48mm OD TUBE	1.2 TO 3.6	BLACK
PLRND48/1.5-2.5	RND ENDPLUG FOR 48mm OD TUBE	1.5 TO 2.5	WHITE/GREY
PLRND48/2.5-5.2	RND ENDPLUG FOR 48mm OD TUBE	2.5 TO 5.2	BLACK
PLRND48/2.9-4.0	RND ENDPLUG FOR 48mm OD TUBE	2.9 TO 4.0	BLACK/WHITE/GREY
PLRND50/0.8-1.5	RND ENDPLUG FOR 50mm OD TUBE	0.8 TO 1.5	BLACK/WHITE/GREY
PLRND50/1.5-2.5	RND ENDPLUG FOR 50mm OD TUBE	1.5 TO 2.5	BLACK/WHITE/GREY
PLRND50/2.5-3.5	RND ENDPLUG FOR 50mm OD TUBE	2.5 TO 3.5	WHITE/GREY
PLRND50/2.5-4.5	RND ENDPLUG FOR 50mm OD TUBE	2.5 TO 4.5	BLACK
PLRND50/4.0-5.0	RND ENDPLUG FOR 50mm OD TUBE	4.0 TO 5.0	BLACK/WHITE
PLRND51/1.3-2.5	RND ENDPLUG FOR 51mm OD TUBE	1.3 TO 2.5	BLACK/GREY
PLRND51/2.0-3.5	RND ENDPLUG FOR 51mm OD TUBE	2.0 TO 3.5	BLACK
PLRND51/3.0-4.0	RND ENDPLUG FOR 51mm OD TUBE	3.0 TO 4.0	GREY
PLRND51/4.5-5.5	RND ENDPLUG FOR 51mm OD TUBE	4.5 TO 5.5	BLACK
PLRND52/1.5-3.5	RND ENDPLUG FOR 52mm OD TUBE	1.5 TO 3.5	BLACK
PLRND55/1.0-3.0	RND ENDPLUG FOR 55mm OD TUBE	1.0 TO 3.0	BLACK/WHITE/GREY
PLRND55/3.0-5.0	RND ENDPLUG FOR 55mm OD TUBE	3.0 TO 5.0	BLACK
PLRND60/1.5-2.5	RND ENDPLUG FOR 60mm OD TUBE	1.5 TO 2.5	BLACK/WHITE/GREY



CAFORD CASTORS (NZ) LTD

# Caford NZ Ltd

Chap 7 Page 73

Volume 1, Issue 173

12 November 2013

Ph: +649 444 8334

Fx: +649 444 0784

E-mail:

[sales@caford.co.nz](mailto:sales@caford.co.nz)

[www.caford.co.nz](http://www.caford.co.nz)



## Heavy Duty Plastic Round End Plugs

ROUND END PLUGS - CONTINUED CODE	DESCRIPTION	WALL THICKNESS MIN-MAX	COLOUR
PLRND60/4.0-4.5	RND ENDPLUG FOR 60mm OD TUBE	4.0 TO 4.5	BLACK
PLRND60/4.5-5.0	RND ENDPLUG FOR 60mm OD TUBE	4.5 TO 5.0	BLACK
PLRND65/1.5-3.5	RND ENDPLUG FOR 65mm OD TUBE	1.5 TO 3.5	BLACK
PLRND70/1.5-2.5	RND ENDPLUG FOR 70mm OD TUBE	1.5 TO 2.5	BLACK
PLRND70/2.0-4.5	RND ENDPLUG FOR 70mm OD TUBE	2.0 TO 4.5	BLACK/WHITE/ GREY
PLRND75/1.0-3.5	RND ENDPLUG FOR 75mm OD TUBE	1.0 TO 3.5	BLACK
PLRND76/1.5-2.5	RND ENDPLUG FOR 76mm OD TUBE	1.5 TO 2.5	BLACK/WHITE
PLRND76/2.9-4.0	RND ENDPLUG FOR 76mm OD TUBE	2.9 TO 4.0	BLACK/GREY
PLRND80/1.5-2.0	RND ENDPLUG FOR 80mm OD TUBE	1.5 TO 2.0	WHITE/GREY
PLRND80/1.5-3.0	RND ENDPLUG FOR 80mm OD TUBE	1.5 TO 3.0	BLACK
PLRND80/3.0-5.0	RND ENDPLUG FOR 80mm OD TUBE	3.0 TO 5.0	BLACK
PLRND85/1.5-4.0	RND ENDPLUG FOR 85mm OD TUBE	1.5 TO 4.0	BLACK
PLRND89/1.8-4.0	RND ENDPLUG FOR 89mm OD TUBE	1.8 TO 4.0	BLACK
PLRND90/2.5-5.0	RND ENDPLUG FOR 90mm OD TUBE	2.5 TO 5.0	BLACK/WHITE/GREY
PLRND95/1.5-4.0	RND ENDPLUG FOR 95mm OD TUBE	1.5 TO 4.0	BLACK
PLRND100/2.0-4.5	RND ENDPLUG FOR 100mm OD TUBE	2.0 TO 4.5	BLACK
PLRND102/2.0-4.0	RND ENDPLUG FOR 102mm OD TUBE	2.0 TO 4.0	BLACK/GREY
PLRND105/2.0-4.5	RND ENDPLUG FOR 105mm OD TUBE	2.0 TO 4.5	BLACK
PLRND108/2.9-5.0	RND ENDPLUG FOR 108mm OD TUBE	2.9 TO 5.0	BLACK
PLRND110/2.0-4.5	RND ENDPLUG FOR 110mm OD TUBE	2.0 TO 4.5	BLACK
PLRND114/3.2-5.5	RND ENDPLUG FOR 114mm OD TUBE	3.2 TO 5.5	BLACK



CAFORD CASTORS (NZ) LTD

# Caford NZ Ltd

Chap 7 Page 74

Volume 1, Issue 174

12 November 2013

Ph:+649 444 8334

Fx:+649 444 0784

E-mail:

sales@caford.co.nz



## Heavy Duty Plastic Round End Plugs

### ROUND END PLUGS - CONTINUED

CODE	DESCRIPTION	WALL THICKNESS	COLOUR
PLRND120/2.0-4.5	RND ENDPLUG FOR 120mm OD TUBE	2.0 TO 4.5	BLACK
PLRND125/2.0-6.0	RND ENDPLUG FOR 125mm OD TUBE	2.0- 6.0	BLACK
PLRND130/2.0-6.0	RND ENDPLUG FOR 130mm OD TUBE	2.0-6.0	BLACK
PLRND133/2.0-6.0	RND ENDPLUG FOR 133mm OD TUBE	2.0 TO 6.0	BLACK
PLRND140/2.0-6.5	RND ENDPLUG FOR 140mm OD TUBE	2.0 TO 6.5	BLACK
PLRND150/2.0-7.0	RND ENDPLUG FOR 150mm OD TUBE	2.0-7.0	BLACK
PLRND159/2.0-4.5	RND ENDPLUG FOR 159mm OD TUBE	2.0 TO 4.5	BLACK
PLRND160/2.5-7.0	RND ENDPLUG FOR 160mm OD TUBE	2.5 TO 7.0	BLACK
PLRND168/2.0-6.5	RND ENDPLUG FOR 168mm OD TUBE	2.0 TO 6.5	BLACK
PLRND194/2.9-8.0	RND ENDPLUG FOR 194mm OD TUBE	2.9 TO 8.0	BLACK





CAFORD CASTORS (NZ) LTD

**Caford NZ Ltd**

Chap 7 Page 75

Volume 1, Issue 175

12 November 2013

Ph: +649 444 8334

Fx: +649 444 0784

E-mail:

[sales@caford.co.nz](mailto:sales@caford.co.nz)

[www.caford.co.nz](http://www.caford.co.nz)



## Heavy Duty Plastic Square End Plugs

### SQUARE END PLUGS

CODE	DESCRIPTION	WALL		COLOUR
		THICKNESS	MIN-MAX	
PLSQ10/1.0-2.0	SQUARE END PLUG FOR 10mm AF TUBE	1.0 TO 2.0		BLACK
PLSQ12/1.0-2.0	SQUARE END PLUG FOR 12mm AF TUBE	1.0 TO 2.0		BLACK
PLSQ13/1.0-2.0	SQUARE END PLUG FOR 13mm AF TUBE	1.0 TO 2.0		BLACK
PLSQ15/0.8-2.0	SQUARE END PLUG FOR 15mm AF TUBE	0.8 TO 2.0		BLACK/ WHITE/GREY
PLSQ16/1.0-2.0	SQUARE END PLUG FOR 16mm AF TUBE	1.0 TO 2.0		BLACK
PLSQ18/1.0-2.0	SQUARE END PLUG FOR 18mm AF TUBE	1.0 TO 2.0		BLACK
PLSQ18/1.5-3.0	SQUARE END PLUG FOR 18mm AF TUBE	1.5 TO 3.0		BLACK
PLSQ20/0.8-3.0	SQUARE END PLUG FOR 20mm AF TUBE	0.8 TO 3.0		BLACK
PLSQ20/1.0-2.0	SQUARE END PLUG FOR 20mm AF TUBE	1.0 TO 2.0		WHITE/GREY
PLSQ22/1.0-2.0	SQUARE END PLUG FOR 22mm AF TUBE	1.0 TO 2.0		BLACK
PLSQ25/1.0-2.0	SQUARE END PLUG FOR 25mm AF TUBE	1.0 TO 2.0		WHITE/GREY
PLSQ25/1.0-3.0	SQUARE END PLUG FOR 25mm AF TUBE	1.0 TO 3.0		BLACK
PLSQ25/2.5-3.0	SQUARE END PLUG FOR 25mm AF TUBE	2.5 TO 3.0		BLACK
PLSQ25/3.0-3.5	SQUARE END PLUG FOR 25mm AF TUBE	3.0 TO 3.5		BLACK
PLSQ28/1.0-3.0	SQUARE END PLUG FOR 28mm AF TUBE	1.0 TO 3.0		BLACK
PLSQ30/1.0-2.0	SQUARE END PLUG FOR 30mm AF TUBE	1.0 TO 2.0		BLACK/ WHITE/GREY
PLSQ30/2.5-4.5	SQUARE END PLUG FOR 30mm AF TUBE	2.5 TO 4.5		BLACK/WHITE
PLSQ32/1.0-3.5	SQUARE END PLUG FOR 32mm AF TUBE	1.0 TO 3.5		BLACK
PLSQ34/1.0-2.0	SQUARE END PLUG FOR 34mm AF TUBE	1.0 TO 2.0		BLACK
PLSQ35/1.0-2.0	SQUARE END PLUG FOR 35mm AF TUBE	1.0 TO 2.0		WHITE
PLSQ35/1.0-3.0	SQUARE END PLUG FOR 35mm AF TUBE	1.0 TO 3.0		BLACK/GREY
PLSQ35/2.5-5.0	SQUARE END PLUG FOR 35mm AF TUBE	2.5 TO 5.0		BLACK
PLSQ38/1.0-3.5	SQUARE END PLUG FOR 38mm AF TUBE	1.0 TO 3.5		BLACK
PLSQ40/1.0-2.0	SQUARE END PLUG FOR 40mm AF TUBE	1.0 TO 2.0		WHITE/GREY



CAFORD CASTORS (NZ) LTD

**Caford NZ Ltd**

Chap 7 Page 76

Volume 1, Issue 176

12 November 2013

Ph: +649 444 8334

Fx: +649 444 0784

E-mail:

sales@caford.co.nz

www.caford.co.nz



## Heavy Duty Plastic Square End Plugs

### SQUARE END PLUGS - CONTINUED

CODE	DESCRIPTION	WALL THICKNESS MIN-MAX	COLOUR
PLSQ40/1.0-3.0	SQUARE END PLUG FOR 40mm AF TUBE	1.0 TO 3.0	BLACK
PLSQ40/3.0-4.0	SQUARE END PLUG FOR 40mm AF TUBE	3.0 TO 4.0	BLACK/WHITE
PLSQ40/4.0-4.5	SQUARE END PLUG FOR 40mm AF TUBE	4.0 TO 4.5	BLACK
PLSQ40/5.0-5.5	SQUARE END PLUG FOR 40mm AF TUBE	5.0 TO 5.5	BLACK
PLSQ45/1.0-3.0	SQUARE END PLUG FOR 45mm AF TUBE	1.0 TO 3.0	BLACK
PLSQ45/4.0-4.5	SQUARE END PLUG FOR 45mm AF TUBE	4.0 TO 4.5	BLACK
PLSQ50/1.5-2.5	SQUARE END PLUG FOR 50mm AF TUBE	1.5 TO 2.5	BLACK/WHITE/GREY
PLSQ50/2.5-5.0	SQUARE END PLUG FOR 50mm AF TUBE	2.5 TO 5.0	BLACK/WHITE
PLSQ50/3.5-6.0	SQUARE END PLUG FOR 50mm AF TUBE	3.5 TO 6.0	BLACK
PLSQ52/1.0-3.5	SQUARE END PLUG FOR 52mm AF TUBE	1.0 TO 3.5	BLACK
PLSQ55/2.0-4.5	SQUARE END PLUG FOR 55mm AF TUBE	2.0 TO 4.5	BLACK
PLSQ60/1.5-2.5	SQUARE END PLUG FOR 60mm AF TUBE	1.5 TO 2.5	WHITE/GREY
PLSQ60/1.5-3.5	SQUARE END PLUG FOR 60mm AF TUBE	1.5 TO 3.5	BLACK
PLSQ60/2.5-5.0	SQUARE END PLUG FOR 60mm AF TUBE	2.5 TO 5.0	BLACK/GREY
PLSQ65/2.5-4.5	SQUARE END PLUG FOR 60mm AF TUBE	2.5 TO 4.5	BLACK BLACK/WHITE/ GREY
PLSQ70/2.0-4.0	SQUARE END PLUG FOR 70mm AF TUBE	2.0 TO 4.0	BLACK
PLSQ70/2.5-5.0	SQUARE END PLUG FOR 70mm AF TUBE	2.5 TO 5.0	BLACK
PLSQ75/1.5-2.5	SQUARE END PLUG FOR 75mm AF TUBE	1.5 TO 2.5	BLACK
PLSQ75/2.0-4.5	SQUARE END PLUG FOR 75mm AF TUBE	2.0 TO 4.5	BLACK
PLSQ80/2.9-5.0	SQUARE END PLUG FOR 80mm AF TUBE	2.9 TO 5.0	BLACK
PLSQ90/2.5-5.0	SQUARE END PLUG FOR 90mm AF TUBE	2.5 TO 5.0	BLACK
PLSQ100/1.0-4.0	SQUARE END PLUG FOR 100mm AF TUBE	1.0 TO 4.0	BLACK BLACK/WHITE/ GREY
PLSQ100/3.0-6.0	SQUARE END PLUG FOR 100mm AF TUBE	3.0 TO 6.0	GREY
PLSQ100/5.0-8.0	SQUARE END PLUG FOR 100mm AF TUBE	5.0 TO 8.0	BLACK



CAFORD CASTORS (NZ) LTD

# Caford NZ Ltd

Chap 7 Page 77

Volume 1, Issue 177

12 November 2013

Ph: +649 444 8334

Fx: +649 444 0784

E-mail:

[sales@caford.co.nz](mailto:sales@caford.co.nz)

[www.caford.co.nz](http://www.caford.co.nz)



## Heavy Duty Plastic Square End Plugs

### SQUARE END PLUGS - CONTINUED

CODE	DESCRIPTION	WALL THICKNESS MIN-MAX	COLOUR
PLSQ110/3.0-5.0	SQUARE END PLUG FOR 110mm AF TUBE	3.0 TO 5.0	BLACK
PLSQ120/2.5-5.0	SQUARE END PLUG FOR 120mm AF TUBE	2.5 TO 5.0	BLACK/WHITE/ GREY
PLSQ140/4.0-7.0	SQUARE END PLUG FOR 140mm AF TUBE	4.0 TO 7.0	BLACK
PLSQ150/10.0-12.5	SQUARE END PLUG FOR 150mm AF TUBE	10.0 TO 12.5	BLACK
PLSQ150/5.0-8.0	SQUARE END PLUG FOR 150mm AF TUBE	5.0 TO 8.0	BLACK





CAFORD CASTORS (NZ) LTD

# Caford NZ Ltd

Chap 7 Page 78

Volume 1, Issue 178

12 November 2013

Ph: +649 444 8334

Fx: +649 444 0784

E-mail:

[sales@caford.co.nz](mailto:sales@caford.co.nz)

[www.caford.co.nz](http://www.caford.co.nz)



## Heavy Duty Oval End Plugs

### OVAL END PLUGS - FLAT SIDED

CODE	DESCRIPTION	WALL	COLOUR
		THICKNESS MIN-MAX	
PLOV20X10/UNI	OVAL END PLUG FOR 20mm x 10mm TUBE UNI		BLACK
PLOV25X12/2.0	OVAL END PLUG FOR 20mm x 12mm TUBE 2.0		BLACK
PLOV30X15/UNI	OVAL END PLUG FOR 30mm x 15mm TUBE UNI		BLACK
PLOV30X20/1.0-2.0	OVAL END PLUG FOR 30mm x 20mm TUBE 1.0 TO 2.0		BLACK
PLOV31X16/2.0	OVAL END PLUG FOR 31mm x 16mm TUBE 2.0		BLACK
PLOV35X15/1.2-2.5	OVAL END PLUG FOR 35mm x 15mm TUBE 1.2 TO 2.5		BLACK
PLOV35X20/1.0-3.0	OVAL END PLUG FOR 35mm x 20mm TUBE 1.0 TO 3.0		BLACK
PLOV38X20/1.0-2.0	OVAL END PLUG FOR 38mm x 20mm TUBE 1.0 TO 2.0		BLACK
PLOV40X20/1.0-3.0	OVAL END PLUG FOR 40mm x 20mm TUBE 1.0 TO 3.0		BLACK
PLOV48X20/UNI	OVAL END PLUG FOR 48mm x 20mm TUBE UNI		BLACK
PLOV50X20/1.0-3.0	OVAL END PLUG FOR 50mm x 20mm TUBE 1.0 TO 3.0		BLACK
PLOV50X25/1.0-2.5	OVAL END PLUG FOR 50mm x 25mm TUBE 1.0 TO 2.5		BLACK/WHITE
PLOV50X30/1.0-2.5	OVAL END PLUG FOR 50mm x 30mm TUBE 1.0 TO 2.5		BLACK
PLOV55X35/1.0-2.0	OVAL END PLUG FOR 55mm x 35mm TUBE 1.0 TO 2.0		BLACK



CAFORD CASTORS (NZ) LTD

# Caford NZ Ltd

Chap 7 Page 79

Volume 1, Issue 179

12 November 2013

Ph: +649 444 8334

Fx: +649 444 0784

E-mail:

[sales@caford.co.nz](mailto:sales@caford.co.nz)

[www.caford.co.nz](http://www.caford.co.nz)

## Heavy Duty Rectangular End Plugs

### RECTANGULAR END PLUGS

CODE	DESCRIPTION	WALL THICKNESS MIN-MAX	COLOUR
PLR20X10/0.75-2.0	RECT. ENDPLUG, 20X10mm	0.75 TO 2.0	BLACK
PLR20X10/0.75-2.75	RECT. END PLUG, 20X10mm	0.75 TO 2.75	WHITE
PLR20X15/1.0-2.0	RECT. END PLUG, 20X15mm	1.0 TO 2.0	BLACK/WHITE
PLR25X10/1.0-2.0	RECT. END PLUG, 25X10mm	1.0 TO 2.0	BLACK
PLR25X12/1.0-2.0	RECT. END PLUG, 25X12mm	1.0 TO 2.0	BLACK
PLR25X15/1.0-2.0	RECT. END PLUG, 25X15mm	1.0 TO 2.0	BLACK/WHITE/ GREY
PLR25X20/1.0-3.0	RECT. END PLUG, 25X20mm	1.0 TO 3.0	BLACK
PLR30X10/1.0-2.0	RECT. END PLUG, 30X10mm	1.0 TO 2.0	BLACK
PLR30X15/1.2-2.5	RECT. END PLUG, 30X15mm	1.2 TO 2.5	BLACK/WHITE/ GREY
PLR30X20/1.0-2.0	RECT. END PLUG, 30X20mm	1.0 TO 2.0	WHITE/GREY
PLR30X20/1.0-3.0	RECT. END PLUG, 30X20mm	1.0 TO 3.0	BLACK
PLR30X25/1.0-2.0	RECT. END PLUG, 30X25mm	1.0 TO 2.0	BLACK/WHITE/ GREY
PLR35X10/0.75-2.0	RECT. END PLUG, 35X10mm	0.75 TO 2.0	BLACK
PLR35X15/1.0-3.0	RECT. END PLUG, 35X15mm	1.0 TO 3.0	BLACK
PLR35X20/1.0-2.5	RECT. END PLUG, 35X20mm	1.0 TO 2.5	BLACK/WHITE
PLR35X25/1.0-3.0	RECT. END PLUG, 35X25mm	1.0 TO 3.0	BLACK/WHITE
PLR35X30/1.0-2.0	RECT. END PLUG, 35X30mm	1.0 TO 2.0	BLACK/WHITE
PLR36X22/UNI	RECT. END PLUG, 36X22mm	UNI	BLACK
PLR40X10/1.0-2.0	RECT. END PLUG, 40X10mm	1.0 TO 2.0	BLACK
PLR40X15/1.0-2.0	RECT. END PLUG, 40X15mm	1.0 TO 2.0	BLACK/WHITE
PLR40X20/1.0-2.0	RECT. END PLUG, 40X20mm	1.0 TO 2.0	WHITE/GREY
PLR40X20/1.0-2.5	RECT. END PLUG, 40X20mm	1.0 TO 2.5	BLACK
PLR40X25/1.0-2.0	RECT. END PLUG, 40X25mm	1.0 TO 2.0	BLACK/WHITE/ GREY
PLR40X30/1.0-2.0	RECT. END PLUG, 40X30mm	1.0 TO 2.0	WHITE/GREY
PLR40X30/1.0-3.0	RECT. END PLUG, 40X30mm	1.0 TO 3.0	BLACK
PLR40X35/1.0-3.0	RECT. END PLUG, 40X35mm	1.0 TO 3.0	BLACK
PLR45X15/1.0-2.0	RECT. END PLUG, 45X15mm	1.0 TO 2.0	BLACK



CAFORD CASTORS (NZ) LTD

# Caford NZ Ltd

Chap 7 Page 80

Volume 1, Issue 180

12 November 2013

Ph: +649 444 8334

Fx: +649 444 0784

E-mail:

sales@caford.co.nz



## Heavy Duty Rectangular End Plugs

### RECTANGULAR END PLUGS - CONTINUED

CODE	DESCRIPTION	WALL THICKNESS MIN-MAX	COLOUR
PLR45X20/1.0-3.0	RECT. END PLUG, 45X20mm	1.0 TO 3.0	BLACK
PLR45X25/1.0-2.0	RECT. END PLUG, 45X25mm	1.0 TO 2.0	WHITE
PLR45X25/1.0-3.0	RECT. END PLUG, 45X25mm	1.0 TO 3.0	BLACK
PLR45X30/1.2-2.0	RECT. END PLUG, 45X30mm	1.2 TO 2.0	BLACK
PLR45X35/1.0-3.5	RECT. END PLUG, 45X35mm	1.0 TO 3.5	BLACK
PLR50X10/1.0-2.5	RECT. END PLUG, 50X10mm	1.0 TO 2.5	BLACK
PLR50X15/1.0-2.0	RECT. END PLUG, 50X15mm	1.0 TO 2.0	BLACK
PLR50X20/1.0-2.0	RECT. END PLUG, 50X20mm	1.0 TO 2.0	WHITE/GREY
PLR50X20/1.0-3.0	RECT. END PLUG, 50X20mm	1.0 TO 3.0	BLACK
PLR50X25/0.8-3.0	RECT. END PLUG, 50X25mm	0.8 TO 3.0	BLACK
PLR50X25/1.0-2.0	RECT. END PLUG, 50X25mm	1.0 TO 2.0	WHITE/GREY
PLR50X25/2.0-3.5	RECT. END PLUG, 50X25mm	2.0 TO 3.5	BLACK
PLR50X25/3.0-4.5	RECT. END PLUG, 50X25mm	3.0 TO 4.5	BLACK
PLR55X35/1.0-2.0	RECT. END PLUG, 55X35mm	1.0 TO 2.0	BLACK
PLR55X40/1.5-4.0	RECT. END PLUG, 55X40mm	1.5 TO 4.0	BLACK
PLR60X15/1.0-2.5	RECT. END PLUG, 60X15mm	1.0 TO 2.5	BLACK
PLR60X20/1.0-2.0	RECT. END PLUG, 60X20mm	1.0 TO 2.0	WHITE
PLR60X20/1.0-3.0	RECT. END PLUG, 60X20mm	1.0 TO 3.0	BLACK
PLR60X25/1.0-2.5	RECT. END PLUG, 60X25mm	1.0 TO 2.5	BLACK/WHITE
PLR60X30/1.0-2.0	RECT. END PLUG, 60X30mm	1.0 TO 2.0	BLACK/WHITE
PLR60X30/1.5-3.0	RECT. END PLUG, 60X30mm	1.5 TO 3.0	BLACK
PLR60X35/1.5-3.5	RECT. END PLUG, 60X35mm	1.5 TO 3.5	BLACK
PLR60X40/1.0-2.0	RECT. END PLUG, 60X40mm	1.0 TO 2.0	WHITE
PLR60X40/1.0-3.0	RECT. END PLUG, 60X40mm	1.0 TO 3.0	BLACK
PLR60X40/4.0-5.0	RECT. END PLUG, 60X40mm	4.0 TO 5.0	BLACK
PLR60X45/1.5-4.0	RECT. END PLUG, 60X45mm	1.5 TO 4.0	BLACK
PLR60X50/1.5-3.5	RECT. END PLUG, 60X50mm	1.5 TO 3.5	BLACK
PLR65X35/1.0-3.0	RECT. END PLUG, 65X35	1.0-3.0	BLACK
PLR70X20/1.0-2.0	RECT. END PLUG, 70X20mm	1.0 TO 2.0	BLACK/WHITE
PLR70X25/1.0-2.0	RECT. END PLUG, 70X25mm	1.0 TO 2.0	BLACK



CAFORD CASTORS (NZ) LTD

# Caford NZ Ltd

## Heavy Duty Bolt Caps

Chap 7 Page 81

Volume 1, Issue 181

12 November 2013

Ph: +649 444 8334

Fx: +649 444 0784

E-mail:

[sales@caford.co.nz](mailto:sales@caford.co.nz)

[www.caford.co.nz](http://www.caford.co.nz)

### BOLT PROTECTION CAPS

CODE	TO SUIT BOLT SIZE	SPANNER WIDTH	COLOUR
PLBPC-M4	METRIC 4	7mm	BLACK/WHITE/GREY
PLBPC-M5	METRIC 5	8mm	BLACK/WHITE/GREY
PLBPC-M6	METRIC 6	10mm	BLACK/WHITE/GREY
PLBPC-M8	METRIC 8	13mm	BLACK/WHITE/GREY
PLBPC-M10	METRIC 10	17mm	BLACK/WHITE/GREY
PLBPC-M12	METRIC 12	19mm	BLACK/WHITE/GREY
PLBPC-M14	METRIC 14	22mm	BLACK/WHITE/GREY
PLBPC-M16	METRIC 16	24mm	BLACK/WHITE/GREY
PLBPC-M18	METRIC 18	27mm	BLACK/WHITE/GREY
PLBPC-M20	METRIC 20	30mm	BLACK/WHITE/GREY
PLBPC-M22	METRIC 22	32mm	BLACK
PLBPC-M24	METRIC 24	36mm	BLACK/GREY
PLBPC-M27	METRIC 27	41mm	BLACK
PLBPC-M30	METRIC 30	46mm	BLACK
PLBPC-M33	METRIC 33	50mm	BLACK
PLBPC-M36	METRIC 36	55mm	BLACK
PLBPC-M39	METRIC 39	60mm	BLACK
PLBPC-M42	METRIC 42	65mm	BLACK
PLBPC-M45	METRIC 45	70mm	BLACK



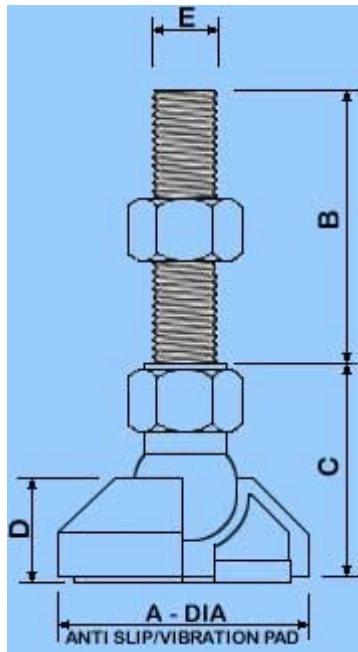
## A-JUSTA-FOOT™

### Heavy Duty A-justa-foot

#### Ball Jointed A-Justa-Foot (Mild Steel) 20 Series

Ball jointed A-justa-foot

Part No.	Old Part No.	Size	A	B	C	D	E	Rating
20/40/M8/60	2000	40xM8	40	60	33	20	M8	350kg
20/40/M8/35	2000(35)	40xM8	40	35	33	20	M8	350kg
20/40/M10/60	2001	40xM10	40	60	33	20	M10	500kg
20/40/M10/35	2001(35)	40xM10	40	35	33	20	M10	500kg
20/60/M12/65	2002	60xM12	60	65	51	25	M12	800kg
20/60/M16/65	2003	60xM16	60	65	51	25	M16	1000kg
20/90/M12/65	2004	90xM12	90	65	51	25	M12	800kg
20/90/M16/65	2005	90xM16	90	65	51	25	M16	1000kg
20/60/M16/150	2006	60xM16	60	150	51	25	M16	1000kg
20/90/M16/150	2007	90xM16	90	150	51	25	M16	1000kg
20/60/M20/100	2008	60xM20	60	100	51	25	M20	1000kg
20/60/M20/165	2008L	60xM20	60	165	51	25	M20	1000kg
20/90/M20/100	2009	90xM20	90	100	51	25	M20	1000kg
20/90/M20/165	2009L	90xM20	90	165	51	25	M20	1000kg



#### Ball Jointed A-Justa-Foot (Stainless Steel) 21 Series

Part No.	Old Part No.	Size	A	B	C	D	E	Rating
21/40/M6/80	-	40xM6	40	40	33	20	M6	100kg
21/40/M8/80	2100	40xM8	40	80	33	20	M8	350kg
21/40/M10/60	2101	40xM10	40	60	33	20	M10	500kg
21/60/M12/65	2102	60xM12	60	65	51	25	M12	800kg
21/60/M16/65	2103	60xM16	60	65	51	25	M16	1000kg
21/90/M12/65	2104	90xM12	90	65	51	25	M12	800kg
21/90/M16/65	2105	90xM16	90	65	51	25	M16	1000kg
21/60/M16/165	2106	60xM16	60	165	51	25	M16	1000kg
21/90/M16/165	2107	90xM16	90	165	51	25	M16	1000kg
21/60/M20/100	2108	60xM20	60	100	51	25	M20	1000kg
21/60/M20/165	2108L	60xM20	60	165	51	25	M20	1000kg
21/90/M20/100	2109	90xM20	90	100	51	25	M20	1000kg
21/90/M20/165	2109L	90xM20	90	165	51	25	M20	1000kg

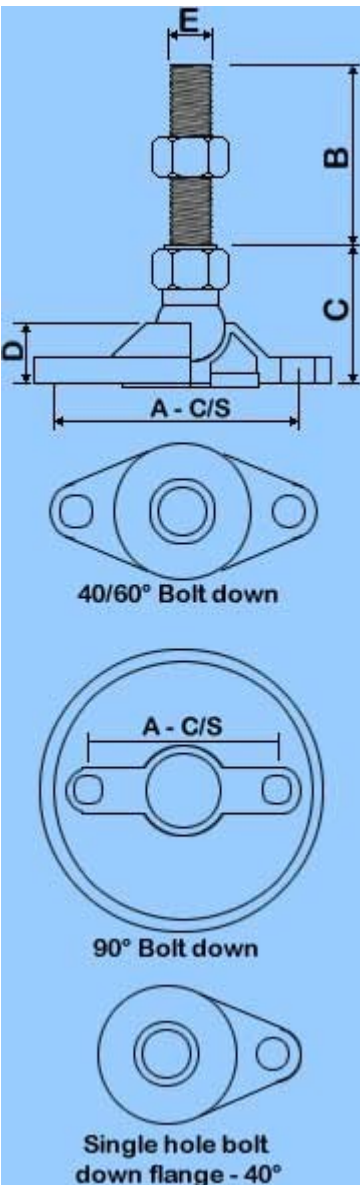
Ball Jointed A-Justa-Foot™ is available in other stud lengths (B) as required





## A-JUSTA-FOOT™

### Bolt Down A-Justa-Foot™ (Mild Steel) 30 Series



Part No.	Old Part No.	Size	A	B	C	D	E	Rating
30/40/M8/60*	3000	40xM8	60	60	33	20	M8	350kg
	3000							
30/40/M8/35*	(35)	40xM8	60	35	33	20	M8	350kg
30/40/M10/60*	3001	40xM10	60	60	33	20	M10	500kg
	3001							
30/40/M10/35*	(35)	40xM10	60	35	33	20	M10	500kg
30/60/M12/65	3002	60xM12	80	65	51	23	M12	800kg
30/60/M16/65	3003	60xM16	80	65	51	23	M16	1000kg
30/60/M16/150	3004	60xM16	80	150	51	23	M16	1000kg
30/60/M20/100	3008	60xM20	80	100	51	23	M20	1000kg
30/60/M20/165	3008L	60xM20	80	165	51	23	M20	1000kg
30/90/M12/65	3009	90xM12	60	65	51	25	M12	800kg
30/90/M16/65	3010	90xM16	60	65	51	25	M16	1000kg
30/90/M16/150	3011	90xM16	60	150	51	25	M16	1000kg
30/90/M20/100	3012	90xM20	60	100	51	25	M20	1000kg
30/90/M20/165	3013	90xM20	60	165	51	25	M20	1000kg

### Bolt Down A-Justa-Foot™ (Stainless Steel) 31 Series

Part No.	Old Part No.	Size	A	B	C	D	E	Rating
31/40/M8/80*	3100	40xM8	60	80	33	20	M8	350kg
31/40/M10/60*	3101	40xM10	60	60	33	20	M10	500kg
31/60/M12/65	3102	60xM12	80	65	51	23	M12	800kg
31/60/M16/65	3103	60xM16	80	65	51	23	M16	1000kg
31/60/M16/165	3104	60xM16	80	165	51	23	M16	1000kg
31/60/M20/100	3108	60xM20	80	100	51	23	M20	1000kg
31/60/M20/165	3108L	60xM20	80	165	51	23	M20	1000kg
31/90/M12/65	3109	90xM12	60	65	51	25	M12	800kg
31/90/M16/65	3110	90xM16	60	65	51	25	M16	1000kg
31/90/M16/165	3111	90xM16	60	165	51	25	M16	1000kg
31/90/M20/100	3112	90xM20	60	100	51	25	M20	1000kg
31/90/M20/165	3113	90xM20	60	165	51	25	M20	1000kg



# A-JUSTA-FOOT™

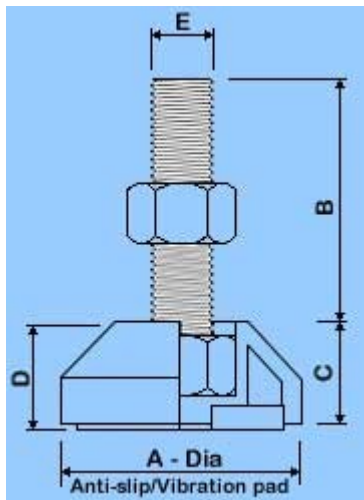
## Fixed A-Justa-Foot™ (Mild Steel) 40 Series

Part No.	Old Part No.	Size	A	B	D	E	Rating
40/40/M8/35	4000	40xM8	40	35	20	M8	350kg
40/40/M10/35	4001	40xM10	40	35	20	M10	500kg
40/40/M10/95	-	40xM10	40	95	20	M10	500kg
40/60/M12/60	4002	60xM12	60	60	25	M12	800kg

## Bolt Down A-Justa-Foot™ (Stainless Steel) 31 Series

Part No.	Old Part No.	Size	A	B	D	E	Rating
41/40/M8/35	4100	40xM8	40	35	20	M8	350kg
41/40/M10/35	4101	40xM10	40	35	20	M10	500kg
41/60/M12/60	4102	60xM12	60	60	25	M12	800kg

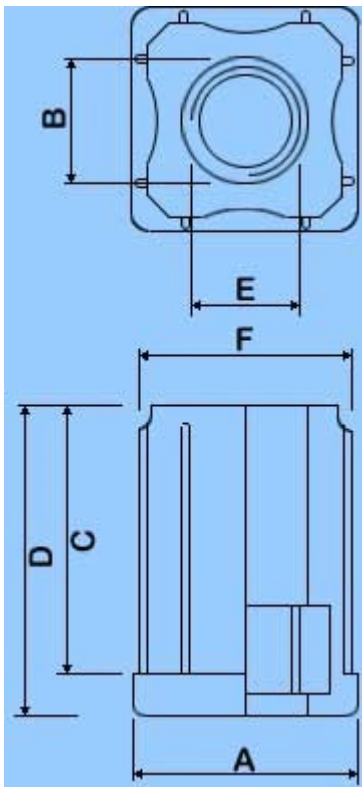
Fixed A-Justa-Foot™ is available in other stud lengths (B) as required





## A-JUSTA-FOOT™

### Square Threaded Tube End (Mild Steel) 10 Series



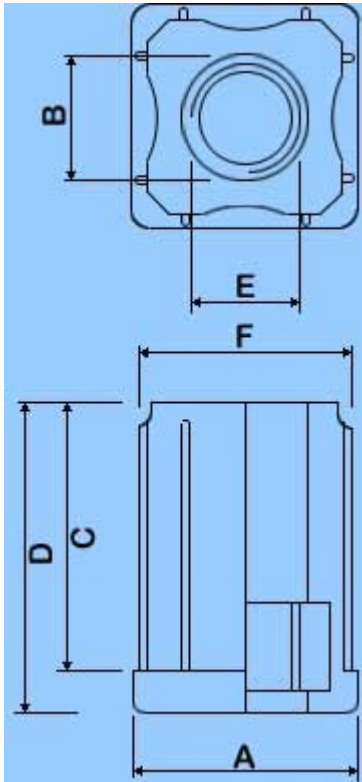
Part No.	Old Part	Size	A	B	C	D	E	F	G	Rating
10/19/M8	-	19xM8	19	M8	23	25	9	16	15-16	50kg
10/25/M8	1000	25xM8	25	M8	39	44	10	24	22-23	250kg
10/25/M10	1001	25xM10	25	M10	39	44	11	24	22-23	250kg
10/25/M12	1002	25xM12	25	M12	39	44	13	24	22-23	250kg
10/25/M16	1003	25xM16	25	M16	39	44	17	24	22-23	250kg
10/30/M8	-	30xM8	30	8	39	45	10	27	26-27	350kg
10/30/M10	-	30xM10	30	M10	39	45	11	27	26-27	350kg
10/30/M12	-	30xM12	30	M12	39	45	13	27	26-27	350kg
10/30/M16	-	30xM16	30	M16	39	45	17	27	26-27	350kg
10/32/M8	1004M8	32xM8	32	M8	39	45	10	30	28-29	350kg
10/32/M10	1004	32xM10	32	M10	39	45	11	30	28-29	350kg
10/32/M12	1005	32xM12	32	M12	39	45	13	30	28-29	350kg
10/32/M16	1006	32xM16	32	M16	39	45	17	30	28-29	350kg
10/35/M10	-	35xM10	35	M10	39	45	11	32	31-32	400kg
10/35/M12	-	35xM12	35	M12	39	45	13	32	31-32	400kg
10/35/M16	-	35xM16	35	M16	39	45	17	32	31-32	400kg
10/38/M8	-	38xM8	38	M8	41	45	10	36	35-36	500kg
10/38/M10	1007M1	38xM10	38	M10	41	47	18	36	35-36	500kg
10/38/M12	1007	38xM12	38	M12	41	47	13	36	35-36	500kg
10/38/M16	1008	38xM16	38	M16	41	47	18	36	35-36	500kg
10/40/M10	-	40xM10	40	M10	39	45	11	37	36-37	500kg
10/40/M12	-	40xM12	40	M12	39	45	13	37	36-37	500kg
10/40/M16	-	40xM16	40	M16	39	45	17	37	36-37	500kg
10/51/M10	1009M1	51xM10	51	M10	39	45	11	48	47-48	750kg
10/51/M12	1010	51xM12	51	M12	39	45	13	48	47-48	750kg
10/51/M16	1009	51xM16	51	M16	39	45	18	48	47-48	750kg
10/32/3/8	10043/8	32x3/8	32	3/8"	39	45	10	30	28-29	350kg

(G) is recommended ID tube sizes



## A-JUSTA-FOOT™

### Square Threaded Tube End (Stainless Steel) 11 Series



Part No.	Old Part No.	Size	A	B	C	D	E	F	G	Rating
11/19/M8	-	19xM8	19	M8	23	25	9	16	15-16	50kg
11/25/M8	1100	25xM8	25	M8	39	44	10	24	22-23	250kg
11/25/M10	1101	25xM10	25	M10	39	44	11	24	22-23	250kg
11/25/M12	1102	25xM12	25	M12	39	44	13	24	22-23	250kg
11/25/M16	1103	25xM16	25	M16	39	44	17	24	22-23	250kg
11/30/M8	-	30xM8	30	M8	39	45	10	27	26-27	350kg
11/30/M10	-	30xM10	30	M10	39	45	11	27	26-27	350kg
11/30/M12	-	30xM12	30	M12	39	45	13	27	26-27	350kg
11/30/M16	-	30xM16	30	M16	39	45	17	27	26-27	350kg
11/32/M8	1104M8	32xM8	32	M8	39	45	10	30	28-29	350kg
11/32/M10	1104	32xM10	32	M10	39	45	11	30	28-29	350kg
11/32/M12	1105	32xM12	32	M12	39	45	13	30	28-29	350kg
11/32/M16	1106	32xM16	32	M16	39	45	17	30	28-29	350kg
11/35/M10	-	35xM10	35	M10	39	45	11	32	31-32	400kg
11/35/M12	-	35xM12	35	M12	39	45	13	32	31-32	400kg
11/35/M16	-	35xM16	35	M16	39	45	17	32	31-32	400kg
11/38/M8	-	38xM8	38	M8	41	45	10	36	35-36	500kg
11/38/M10	1107M10	38xM10	38	M10	41	47	18	36	35-36	500kg
11/38/M12	1107	38xM12	38	M12	41	47	13	36	35-36	500kg
11/38/M16	1108	38xM16	38	M16	41	47	18	36	35-36	500kg
11/40/M10	-	40xM10	40	M10	39	45	11	37	36-37	500kg
11/40/M12	-	40xM12	40	M12	39	45	13	37	36-37	500kg
11/40/M16	-	40xM16	40	M16	39	45	17	37	36-37	500kg
11/51/M10	1109M10	51xM10	51	M10	39	45	11	48	47-48	750kg
11/51/M12	1110	51xM12	51	M12	39	45	13	48	47-48	750kg
11/51/M16	1109	51xM16	51	M16	39	45	18	48	47-48	750kg
11/51/M20	-	51xM20	51	M20	39	45	18	48	47-48	750kg

(G) is recommended ID tube sizes

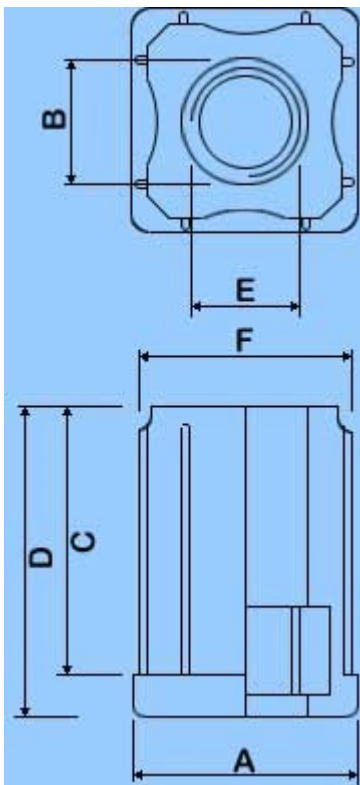


## A-JUSTA-FOOT™

### Long Threaded Square Tube End LT Series

Zinc plated Mild Steel

For use with castor



Part No.	Size	A	B	C	D	E	F	G	T	Rating
LTS19/M8	19xM8	19	M8	23	25	9	16	15-16	16	50kg
LTS19/M10	19xM10	19	M1	23	25	11	16	15-16	24	50kg
LTS25/M10	25xM10	25	M1	39	44	11	24	22-23	24	100kg
LTS25/M12	25xM12	25	M1	39	44	13	24	22-23	24	100kg
LTS32/M10	32xM10	32	M1	39	45	11	30	28-29	24	150kg
LTS32/M12	32xM12	32	M1	39	45	13	30	28-29	24	150kg
LTS38/M10	38xM10	38	M1	41	45	11	36	35-36	24	200kg
LTS38/M12	38xM12	38	M1	41	45	13	36	35-36	24	200kg
LTS38/M16	38xM16	38	M1	41	45	18	36	35-36	31	200kg
LTS40/M10	40xM10	40	M1	39	45	11	37	36-37	24	500kg
LTS40/M12	40xM12	40	M1	39	45	13	37	36-37	24	500kg
LTS51/M10	51xM10	51	M1	39	47	11	48	47-48	24	500kg
LTS51/M12	51xM12	51	M1	39	47	13	48	47-48	24	750kg
LTS51/M16	51xM16	51	M1	39	47	18	48	47-48	31	750kg

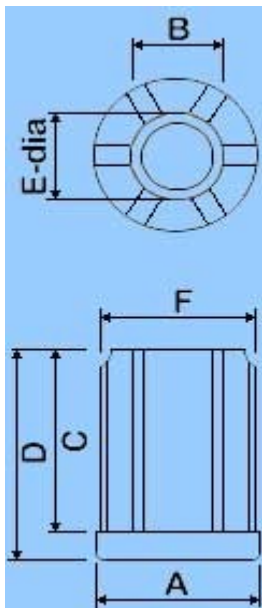
(G) is recommended ID





## A-JUSTA-FOOT™

### Round Threaded Tube Round threaded tube end (stainless steel) 81 series



part no.	old part no.	size	a	b	c	d	e	f	g	rating
81/25/M8	-	25xM8	25M8	38	47	14	23	22	100kg	
81/25/M10	-	25xM10	25M10	38	47	14	23	22	100kg	
81/25/M12	-	25xM12	25M12	38	47	14	23	22	100kg	
81/32/M8	-	32xM8	32M8	39	45	11	30	28-29	200kg	
81/32/M10	8104	32xM10	32M10	39	45	11	30	28-29	250kg	
81/32/M12	8105	32xM12	32M12	39	45	13	30	28-29	250kg	
81/32/M16	8106	32xM16	32M16	39	45	18	30	28-29	250kg	
81/38/M10	8107M10	38xM10	38M10	38	45	18	36	35-36	300kg	
81/38/M12	8107	38xM12	38M12	38	45	18	36	35-36	300kg	
81/38/M16	8108	38xM16	38M16	38	45	18	36	35-36	300kg	
81/40/M8	-	40xM8	40M8	39	45		37	36-37	350kg	
81/40/M10	-	40xM10	40M10	39	45	11	37	36-37	500kg	
81/40/M12	-	40xM12	40M12	39	45	13	37	36-37	500kg	
81/40/M16	-	40xM16	40M16	39	45	18	37	36-37	500kg	
81/51/M12	8109	51xM12	51M12	38	45	18	48	47-48	450kg	
81/51/M16	8110	51xM16	51M16	38	45	18	48	47-48	450kg	
81/62/M16	8120	62xM16	62M16	38	45	18	61	60-61	450kg	

(G) is recommended ID tube sizes



# A-JUSTA-FOOT™

## Long Threaded Round Tube

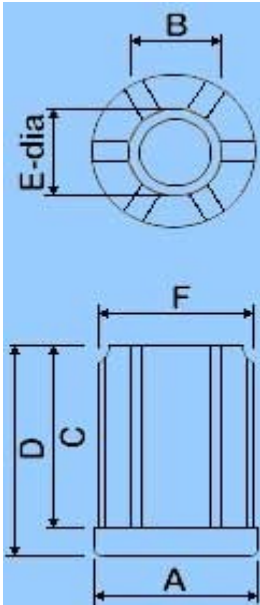
### End LTR

Zinc plated mild steel  
 thread

For use with castor  
 wheels

Part No.	Size	A	B	C	D	E	F	G	T	Rating
LTR25/M10	25xM10	25	M10	38	47	12	23	22	24	100kg
LTR25/M12	25xM12	25	M12	38	47	14	23	22	24	100kg
LTR32/M10	32xM10	32	M10	39	45	11	30	28-29	24	250kg
LTR32/M12	32xM12	32	M12	39	45	13	30	28-29	24	250kg
LTR38/M10	38xM10	38	M10	38	45	18	36	35-36	24	300kg
LTR38/M12	38xM12	38	M12	38	45	18	36	35-36	24	300kg
LTR51/M12	51xM12	51	M12	38	45	18	48	47-48	24	450kg

(G) is recommended ID tube sizes





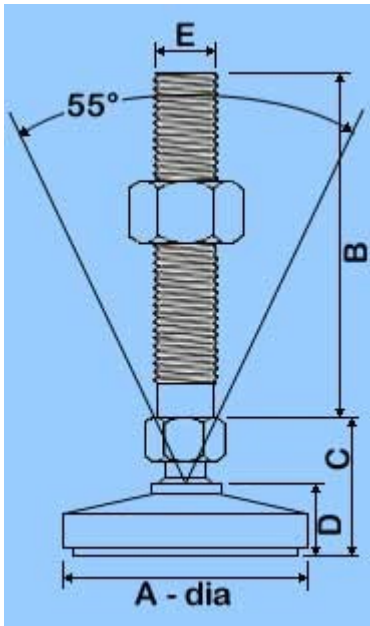
## A-JUSTA-FOOT™

### Heavy Duty A-Justa-Foot™

#### 121 Series

(Stainless Steel)

Complete with Anti-slip pads



Part No.	Size	A	B	C	D	E	Rating
121/40/M8/60	40xM8	40	60	30	18	M8	500kg
121/40/M10/60	40xM10	40	60	30	18	M10	700kg
121/60/M12/90	60xM12	60	90	44	25	M12	1200kg
121/60/M12/190	60xM12x190	60	190	44	25	M12	1200kg
121/60/M16/90	60xM16	60	90	44	25	M16	2000kg
121/60/M16/190	60xM16x190	60	190	44	25	M16	2000kg
121/60/M20/90	60xM20	60	90	44	25	M20	3500kg
121/60/M20/190	60xM20x190	60	190	44	25	M20	3500kg
121/60/M24/90	60xM24	60	90	44	25	M24	4500kg
121/60/M24/190	60xM24x190	60	190	44	25	M24	4500kg
121/90/M12/90	90xM12	90*	90	44	25	M12	1200kg
121/90/M12/190	90xM12x190	90*	190	44	25	M12	1200kg
121/90/M16/90	90xM16	90*	90	44	25	M16	2000kg
121/90/M16/190	90xM16x190	90*	190	44	25	M16	2000kg
121/90/M20/90	90xM20	90*	90	44	25	M20	3500kg
121/90/M20/190	90xM20x190	90*	190	44	25	M20	3500kg
121/90/M24/90	90xM24	90*	90	44	25	M24	4500kg
121/90/M24/190	90xM24x190	90*	190	44	25	M24	4500kg
121/125/M12/90	125xM12	125*	90	44	25	M12	1200kg
121/125/M16/90	125xM16	125*	90	44	25	M16	2000kg
121/125/	125xM16x190	125*	190	44	25	M16	2000kg
121/125/M20/90	125xM20	125*	90	44	25	M20	3500kg
121/125/	125xM20x190	125*	190	44	25	M20	3500kg
121/125/M24/90	125xM24	125*	90	44	25	M24	4500kg
121/125/	125xM24x190	125*	190	44	25	M24	4500kg

\* Base 90 and 125 also available with bolt-down holes - Series HD131.

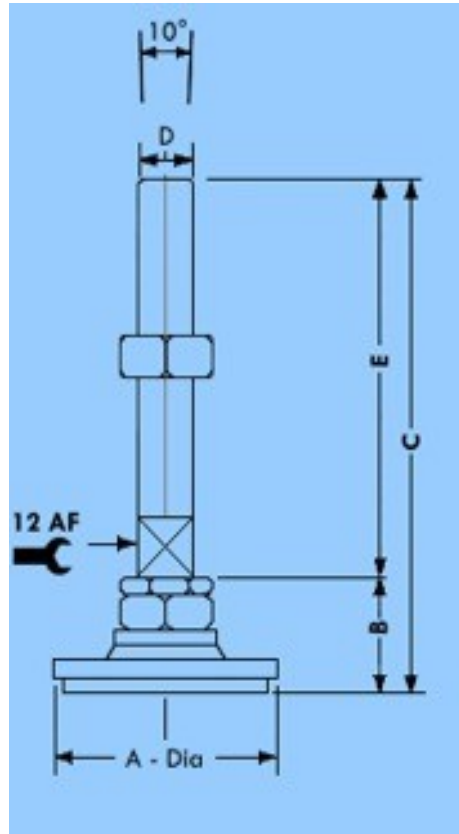
Bolt-down holes in 90 have 60mm centres.

Bolt-down holes in 125 have 90mm centres.

All bolt-down holes are 11mm diameter.



## A-JUSTA-FOOT™



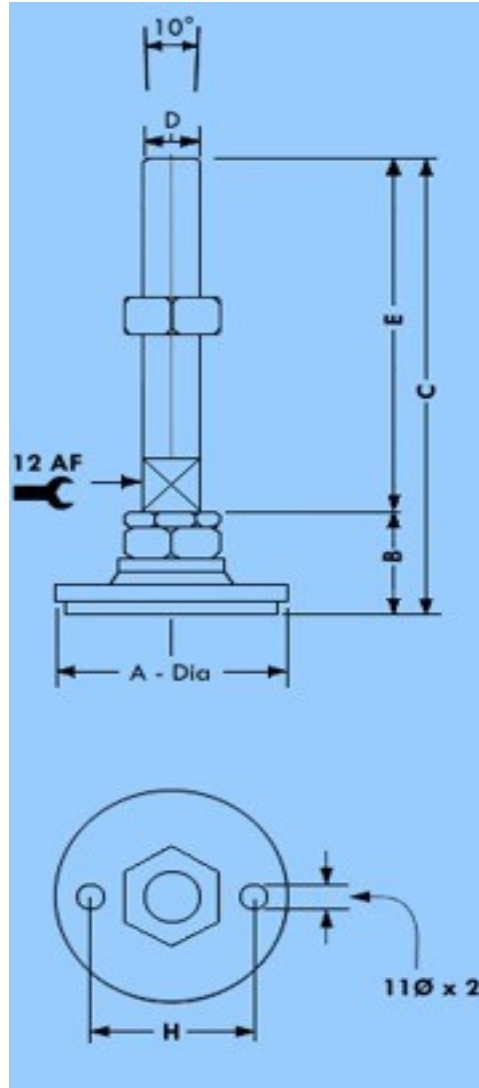
HDA series 221 Fixed  
 Stainless Foot & Thread

Part No.	A Base	B Base Height	C Overall Height	D Stud	E Thread Length	F Pivot Angle	Rating
HDA221/90/M16/70	90	42	105	M16	63	10°	2000kg
HDA221/90/M16/170	90	42	205	M16	163	10°	2000kg
HDA221/90/M20/70	90	45	100	M20	60	10°	3000kg
HDA221/90/M20/170	90	45	200	M20	160	10°	3000kg
HDA221/90/M24/70	90	50	100	M24	60	10°	4000kg
HDA221/90/M24/170	90	50	200	M24	160	10°	4000kg
HDA221/125/M16/70	125	42	105	M16	63	10°	2000kg
HDA221/125/M16/170	125	42	205	M16	163	10°	2000kg
HDA221/125/M20/70	125	45	100	M20	60	10°	3000kg
HDA221/125/M20/170	125	45	200	M20	160	10°	3000kg
HDA221/125/M24/70	125	50	100	M24	60	10°	4000kg
HDA221/125/M24/170	125	50	200	M24	160	10°	4000kg



Ph: +649 444 8334  
 Fx: +649 444 0784  
 E-mail:  
 sales@caford.co.nz  
 www.caford.co.nz

## A-JUSTA-FOOT™



HDA Bolt down series 231  
 Stainless Foot & Thread

Part No.	A	B	C	D	E	F	Rating	H
	Base	Base Height	Overall Height	Stud	Thread Length	Pivot Angle		Bolt centres
HDA231/90/M16/70	90	42	105	M16	63	10°	2000kg	60
HDA231/90/M16/170	90	42	205	M16	163	10°	2000kg	60
HDA321/90/M20/70	90	45	100	M20	60	10°	3000kg	60
HDA231/90/M20/170	90	45	200	M20	160	10°	3000kg	60
HDA231/90/M24/70	90	50	100	M24	60	10°	4000kg	60
HDA231/90/M24/170	90	50	200	M24	160	10°	4000kg	60
HDA231/125/M16/70	125	42	105	M16	63	10°	2000kg	90
HDA231/125/M16/170	125	42	205	M16	163	10°	2000kg	90
HDA231/125/M20/70	125	45	100	M20	60	10°	3000kg	90
HDA231/125/M20/170	125	45	200	M20	160	10°	3000kg	90
HDA231/125/M24/70	125	50	100	M24	60	10°	4000kg	90
HDA231/125/M24/170	125	50	200	M24	160	10°	4000kg	90



**A-JUSTA-FOOT™****CFR Foot Zinc plated Mild Steel or 304 Stainless Steel**

Part No.	Base Diameter	Base Height	Overall Height	Stud	Thread Length	Stud Material
CFR40/22/M8/28	22	10	38	M8	28	Zinc plated mild steel
CFR40/22/M8/38	22	10	48	M8	38	Zinc plated mild steel
CFR41/22/M8/33	22	10	43	M8	33	Stainless Steel
CFR41/22/M8/38	22	10	48	M8	28	Stainless Steel
CFR41/40/M8/48	40	10	58	M8	48	Stainless Steel

**A-JUSTA-FOOT™****CFP Foot Zinc plated Mild Steel or 304 Stainless Steel**

Part No.	Base Diameter	Base Height	Overall Height	Stud	Thread Length	Stud Material
CFP40/40/M12/55	40	25	82	M12	55	Zinc plated mild steel or stainless
CFP40/40/M12/55	40	25	82	M12	55	Zinc plated mild steel or stainless